

CE 35

Reference(s) : 558 180/184/187



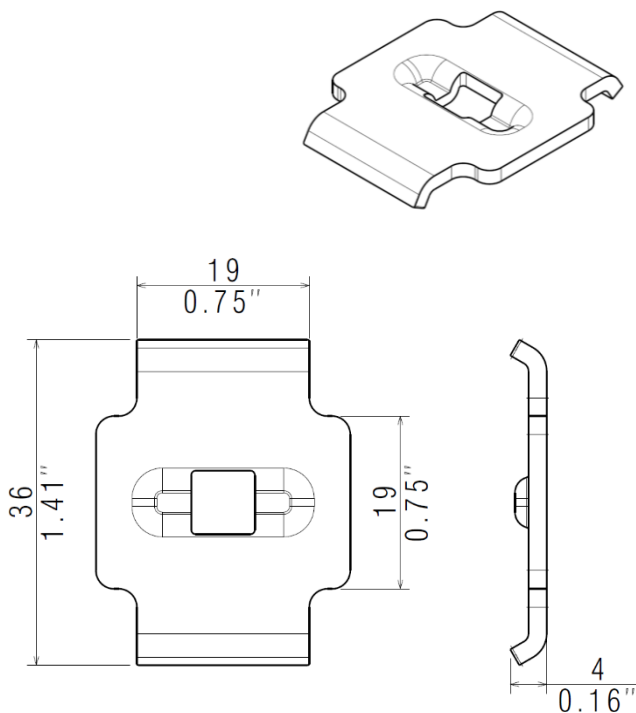
1. USE

CE35 is a square splice washer that is used to fix different accessories on wire mesh.

2. RANGE

Designation	Code	Thickness (mm/Inch)	Weight (Kg/lb)
CE35 PG	558 180	2 / 0,08"	0,013 / 0,029
CE35 HR	558 187		
CE35 316L	558 184		

3. DIMENSIONS (mm/inch)



4. INSTALLATION

CF / FC / CBB

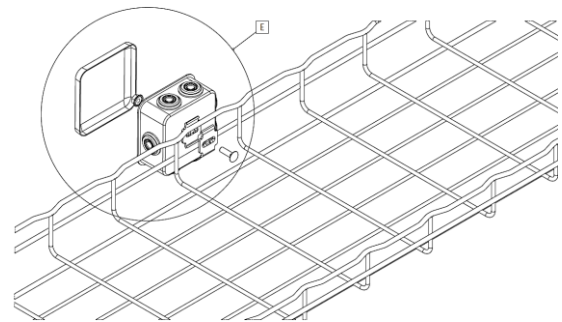


54 - 105 - 150



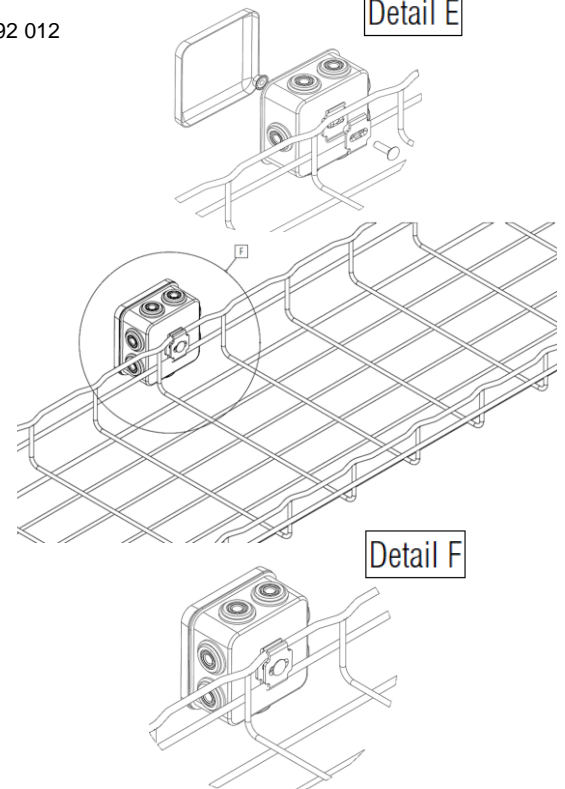
50 → 900

1. CE35 as support system



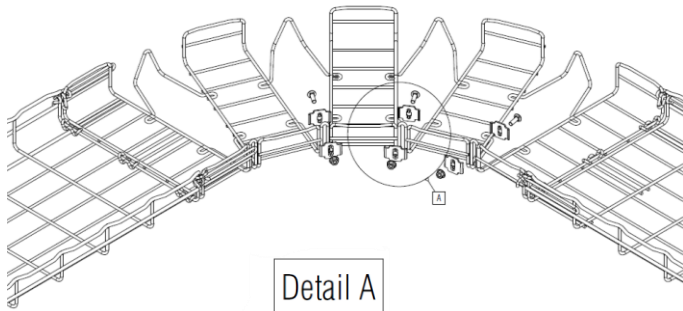
092 012

Detail E

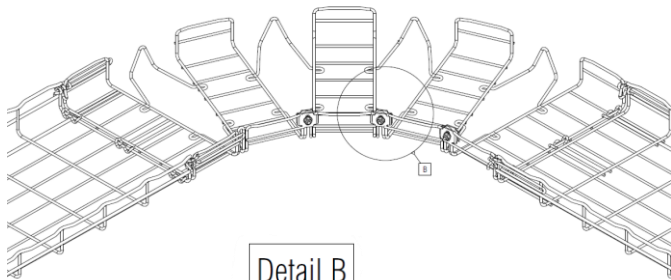
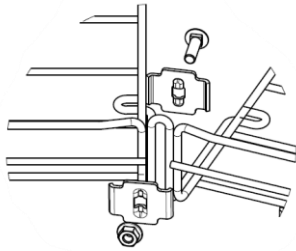


Detail F

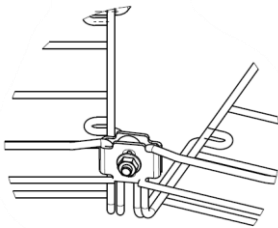
1. CE35 on internal radius Cablobend



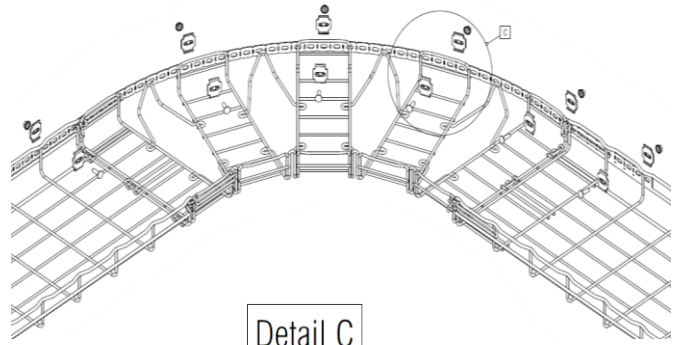
Detail A



Detail B

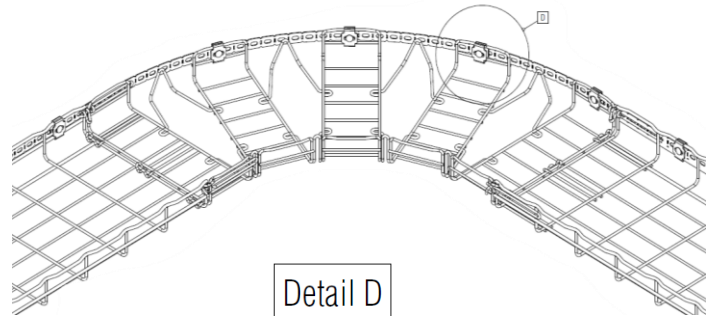
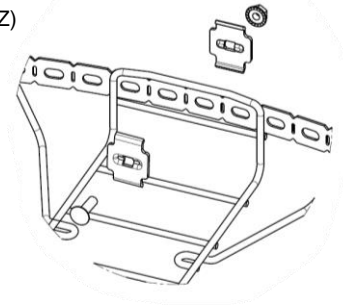


2. CE35 on Stiffener

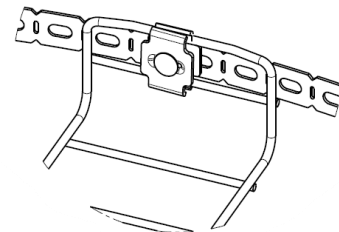


Detail C

350 461 (EZ)



Detail D



5. TECHNICAL DATA

5.1 Material characteristics

Coating	Resistance class against corrosion	Raw material	Standard
GS / PG	Class 3 / IEC 61537	DX 51 D Z275 MAC	EN 10346
HR	Class 8 / IEC 61537	S 235 JR	EN 10025
IN316L / SS316L	Class 9D / IEC 61537	X2 Cr Ni Mo 17-12-2	EN 10088-2

5.2 Climatic characteristics

Storage and operating temperature : - 20° C à + 120° C